

Core 4" Round Adjustable Downlight (102mm)

Formerly known as 1000, 1001 and 1016
Adjustable Recessed Accent/Downlight

The Core Family

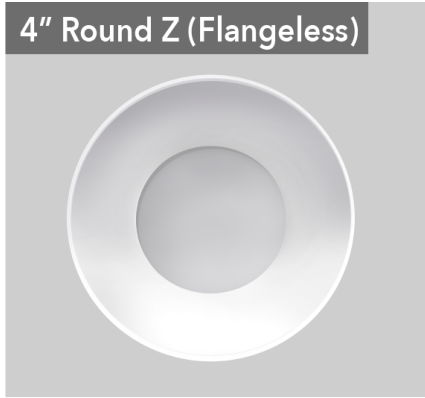
Welcome to the Core line of fixtures. You will find a rich diversity of technical and aesthetic options including 3 trim apertures, over 14 finishes including custom wood trims, flux and source selections featuring 90+ CRI fixed white and our world class Ambient Dim (Warm Dim), multiple beam spreads and plethora of driver and control choices. The Core downlight is created on a platform allowing a high degree of modification, so if you don't see what you are looking for, just ask. We are here to make your project right.

PROJECT:

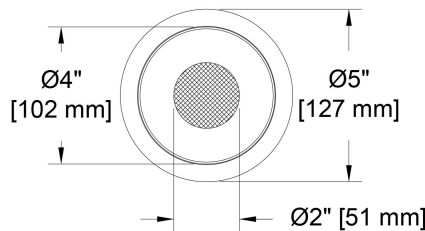
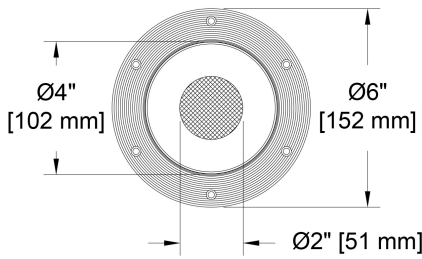
TYPE:

SPECIFIER:

DATE:



Deep Regress shown



Key Points (CR4D-RA)

Trim

- Flanged or Flangeless
- Flangeless includes plaster flange with lip
- 14 color options + custom RAL or wood available
- One-piece die cast aluminum or machined wood trim

Source / Optics

- Lifetime: L87B3>55,000 hours at 40°C Ambient
- 2700, 3000, 3500, 4000K, Ambient Dim standard. Tunable White or RGBW available upon request
- 90 CRI , 60+ R9 Standard- 95 CRI 90+R9 Optional
- <2 MacAdam Steps (<2SDCM) for fixed white
- Up to 2300 delivered lumens
- Adjustable to 45° with 358° of rotation
- 4 beamspreads available- 15°, 24°, 40°, and 55°

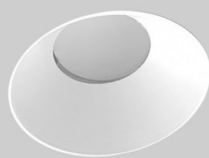
Housing

- **TITLE 24** Compliant to **JA8** with Airtight Housing
- **UL** Listed – Damp or wet with shower trim
- Approved for 8 (4-in / 4-out) #12 AWG conductors rated for 90°C through wiring
- IC Rated / Airtight Housing approved for use in direct contact with insulation – Chicago Plenum Available
- Heavy gauge aluminum for new construction or remodel

Driver

- Phase, 0-10, DALI, Ecosystem or Wireless Control
- Flicker free to IEEE 1789-2015
- Prewired and integral to housing
- Universal 120-277v

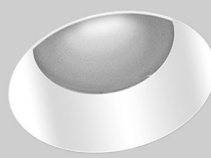
Aperture Options



Deep Regress (DR)
2" Optical Aperture
Formerly known as 1001



FL- Flat (Pin Hole)
2" Optical Aperture
Formerly known as 1000



Open Regress (OR)
3" Optical Aperture
Formerly known as 1016



Wood Finish
All apertures options

ROUND Beamspreads		15°				24°				40°				55°			
Source	System watts (W)	Delivered Lumens (lm)	Lumens/ Watt	Peak CD	10% Field	Delivered Lumens (lm)	Lumens/ Watt	Peak CD	10% Field	Delivered Lumens (lm)	Lumens/ Watt	Peak CD	10% Field	Delivered Lumens (lm)	Lms/ Watt	Peak CD	10% Field
Citizen C14	15	1149	77	7832	42°	1074	72	4247	46°	1117	74	2867	51°	1098	73	1416	71°
Citizen C20	21	1531	73	11189	43°	1422	68	6491	52°	1490	71	4096	56°	1464	70	2208	72°
Citizen C28*	30	2046	68	16106	41°	2006	67	9871	47°	2069	69	5688	54°	2020	67	3155	69°
Ambient Dim A14	15	882	59	7188	38°	858	57	4167	44°	801	53	2027	57°	844	56	1286	70°

Data based on Deep Regress optical aperture. See full photometric table on page 5 for all apertures. All values are delivered or derived lumens/CD. Ambient Dim at full output. *C28 requires active cooling

Core 4" Round Adjustable Downlight (102mm)

Formerly known as 1000, 1001 and 1016
Adjustable Recessed Accent/Downlight



Ordering Codes

PROJECT:

SPECIFIER:

DATE:

TYPE:

QUANTITY:

Ordering Code Example: CR4D-RA-DR-Z-AU-C20-35-24-E2-P14-92A-91L-97L-CP

FIXTURE	APERTURE	TRIM	MOUNTING	SOURCE / WATTS	CCT	BEAM	DRIVER / CONTROL	TRIM FINISH	LENS ACCESSORIES	ACCESSORIES
CR4D-RA										
Core 4" Round Adjustable Downlight	DR Deep Regress	F Flanged Trim	Flanged Housings	Citizen	27 2700K	15 Spot	C1 0-10 1.0%, UNV (120-277V) linear	W White Paint	Aperture Lens	EM Emergency Pack
	OR Open Regress	Z Flangeless Trim	U Universal - Non-IC Housing	C14 ●● 15W 1074Lm** 90+CRI, 60+R9	30 3000K	24 Narrow Flood	C2 ELV/Triac 1.0%, (120V) linear	B Black Paint	91A Solite	EMP Emergency Pack with phase cut control system utilizing C1 driver
Flat (Pin Hole)	FL Flat (Pin Hole)	FS Flanged Shower Trim*	AU ●● Universal IC/Airtight*	C20 ●● 21W 1422Lm** 90+CRI, 60+R9	35 3500K	40 Flood	EldoLED	D Wood*	93A Frosted	CP Chicago Plenum
		ZS Flangeless Shower Trim*	Flangeless Housings	C28 30W* 2006Lm** 90+CRI, 60+R9	40 4000K	55 Wide Flood	E1 0-10 0.1%, UNV (120-277V) log	PXX Specialty Paint Color*	XXA Other Aperture Lens Treatments*	Controls
		* Aperture Lens Required	P Plaster - Non-IC Housing	Ambient Dim	AD 3000-1900K		E2 DALI-2 0.1%, UNV (120-277V) log	P01-P15	91L Solite	LR Lutron Wireless RF PowPak
			AP ●● Plaster IC/Airtight*	A14 ●● 15W 858Lm 95+CRI, 90+R9 3000 to 1900K	TW18 1800-4000K		E3 0-10 0.1%, UNV (120-277V) linear	C Custom/RAL Color**	93L Frosted	ATH Lutron Athena Wireless Node <i>Must be used with E2 driver</i>
			PM Panel Mount	TW 90+CRI, 60+R9 Tunable White^+	TW27 2700-6500K		Lutron		97L Black Hexcel Louver	CA Casambi Wireless BLE to be paired with driver
			APM ●● Panel Mount Airtight/IC*	RGBW 90+CRI, 60+R9 ^			LD Digital Ecosystem 1.0%, UNV (120-277V) ECO Hi-Lume SoftOn/Fade-to-Black LDE1		XXL Other reflector (lamp) media*	
			●● Supports CA Title24 compliance	●● Supports CA Title 24 Compliance to JA8 except in flat aperture			LP Digital Ecosystem* 0.1%, UNV (120-277V) ECO Premier Hi-Lume SoftOn/Fade-to-Black, PEQ0, 20W max		1 piece of media per opening (aperture or reflector) can be selected.	
			*Cannot be used with C28 Source	* Requires Active Cooling, must be used with NIC housing. Not compatible with L2 and LP drivers.			* Not compatible with C28		*See Lens Accessory Guide	
			** Based on Deep Regress 24° beam							
			^ Contact Factory for Photometrics							
			+EldoLED driver selection required and will be supplied with 2 channel version							



Core 4" Round Adjustable Downlight (102mm)

Formerly known as 1000, 1001 and 1016
Adjustable Recessed Accent/Downlight

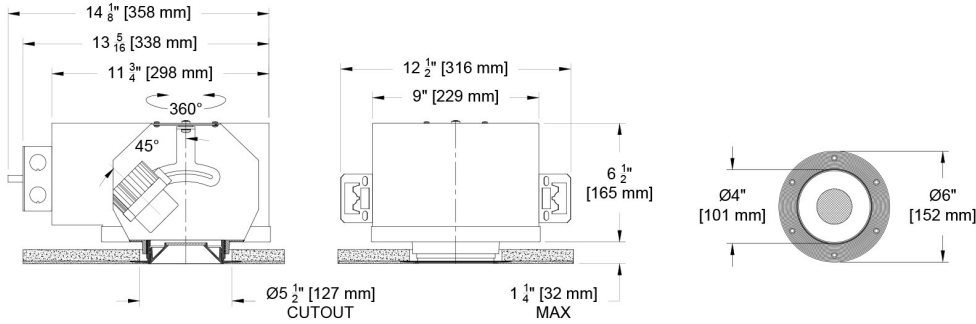
Ceiling Cutouts and Dimensions

Deep Regress Shown - others similar

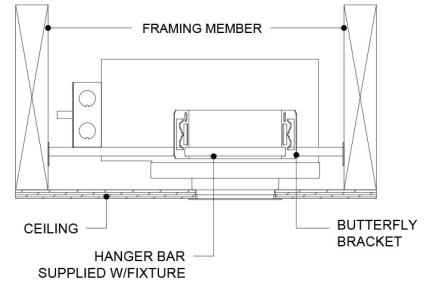
Round Flangeless Housing

Plaster Mount (P/AP)

(CR4D-RA-DR-Z-P/AP)



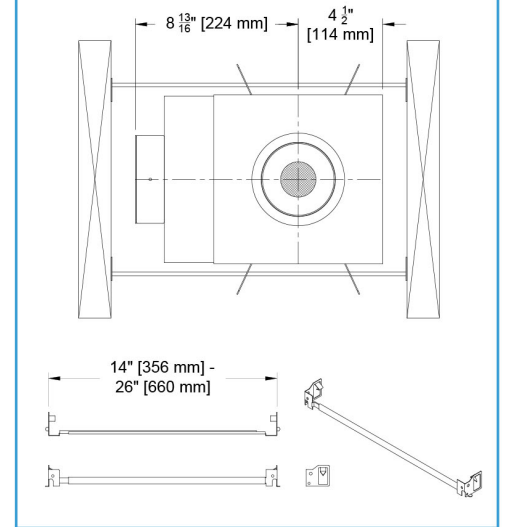
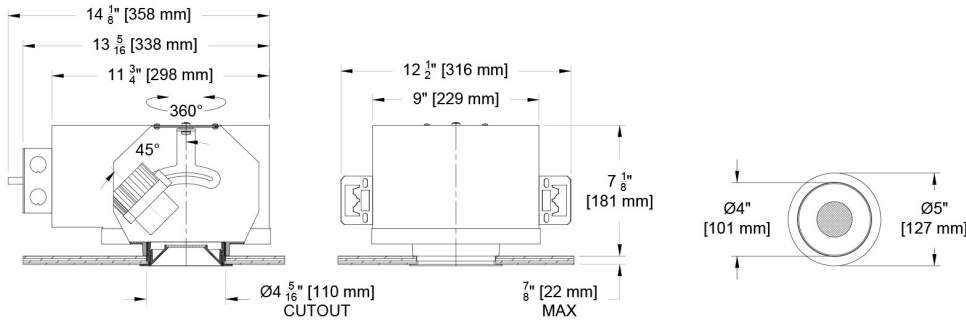
Hanger Bar Detail



Round Flanged Housing

Flanged Mount (U/AU)

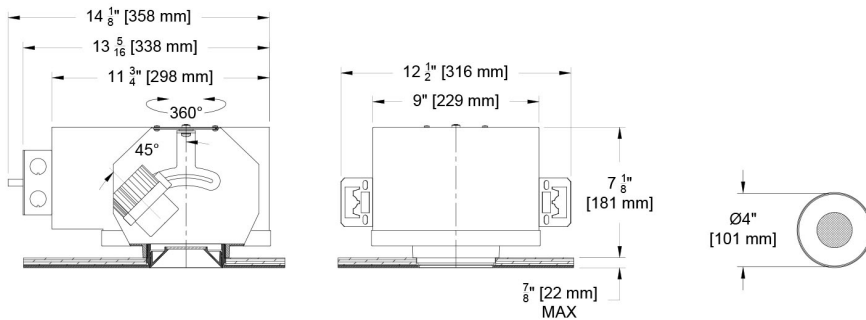
(CR4D-RA-DR -F-U/AU)



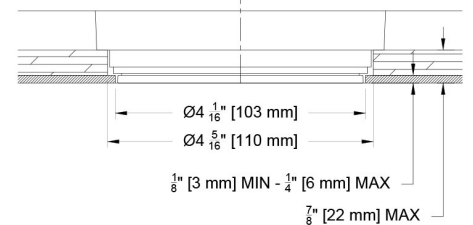
Round Flangeless Housing

Panel Mount (PM/APM)

(CR4D-RA-DR -P-PM/APM)



Panel Mount Detail



Core 4" Round Adjustable Downlight (102mm)

Formerly known as 1000, 1001 and 1016
Adjustable Recessed Accent/Downlight



Photometric Table

All data is based from goniometer measurements of production representative product. All lumen values can vary +/- 10% from LED manufacturer rated flux range. Measurements at 3000 CCT

ROUND Beamspreads		15°				24°				40°				55°				
Source	System watts (W)	Delivered Lumens (lm)	Lumens/Watt	Peak CD	10% Field	Delivered Lumens (lm)	Lumens/Watt	Peak CD	10% Field	Delivered Lumens (lm)	Lumens/Watt	Peak CD	10% Field	Del. Lumens (lm)	Lms/ Watt	Peak CD	10% Field	
Deep Regress	Citizen C14	15	1149	77	7832	42°	1074	72	4247	46°	1117	74	2867	51°	1098	73	1416	71°
	Citizen C20	21	1531	73	11189	43°	1422	68	6491	52°	1490	71	4096	56°	1464	70	2208	72°
	Citizen C28*	30	2046	68	16106	41°	2006	67	9871	47°	2069	69	5688	54°	2020	67	3155	69°
	Ambient Dim A14	15	882	59	7188	38°	858	57	4167	44°	801	53	2027	57°	844	56	1286	70°
Open Regress	Citizen C14	15	1267	84	7877	42°	1179	79	4203	52°	1183	79	2421	66°	1199	80	1533	75°
	Citizen C20	21	1689	80	12229	41°	1571	75	6562	57°	1578	75	3459	63°	1536	73	1965	76°
	Citizen C28*	30	2331	78	16883	44°	2169	72	9060	55°	2177	73	5140	67°	2163	72	2939	75°
	Ambient Dim A14	15	1001	67	7323	39°	987	66	4067	53°	991	66	2235	60°	969	65	1281	72°
Flat (Pin Hole)	Citizen C14	15	824	55	7851	37°	716	48	4844	46°	700	47	2801	51°	623	42	1370	64°
	Citizen C20	21	1099	52	11216	35°	967	46	6544	42°	933	44	3732	49°	830	40	1957	62°
	Citizen C28*	30	1517	51	16982	32°	1334	44	8389	44°	1288	43	5154	53°	1145	38	2962	59°
	Ambient Dim A14	15	747	50	7305	36°	702	47	4077	42°	678	45	2247	50°	622	41	1076	63°
CCT Multiplier																		
CCT	Citizen																	
2700	0.95																	
3000	1.00																	
3500	1.02																	
4000	1.03																	
All measurements based on 3000 CCT. Ambient Dim based on full output.																		

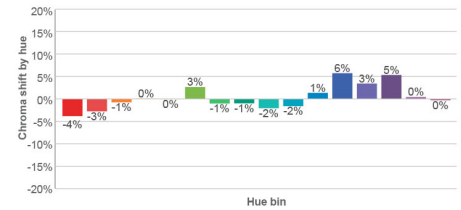
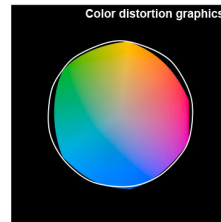
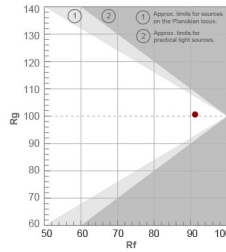
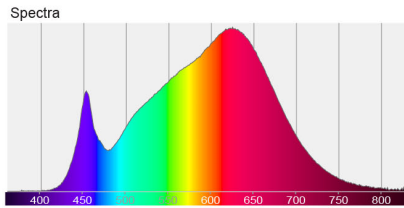
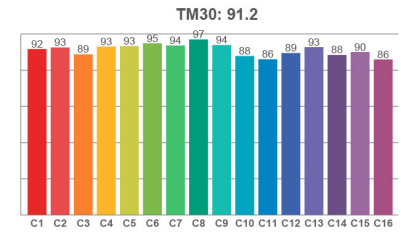
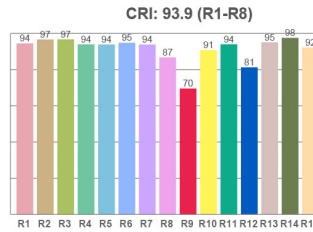
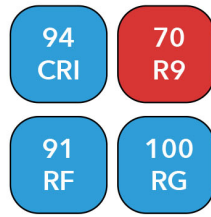
ISO CD Plot based on open Regress. All data based on delivered or derived delivered lumens at 3000k. Ambient dim at full output.
*C28 source requires active cooling. Flat (Pin Hole) aperture wider beams experience significant beam clipping - refer to PDF report for exact FWHM beam angle.

Color Data

All data is based from goniometer measurements of production representative product. All lumen values can vary +/- 10% from LED manufacturer rated data range. Measurements at 3000 CCT

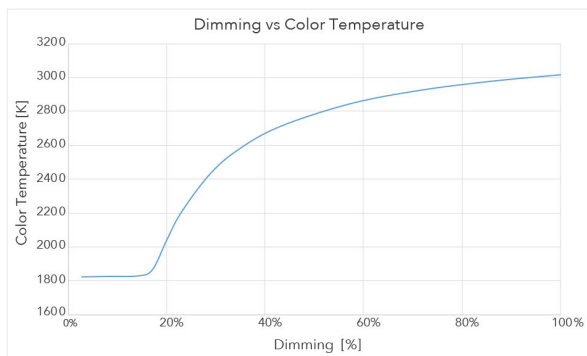
Citizen Sources - C14, C20 and C28

- <2 MacAdam Ellipse (<2 SDCM)
- 90+ CRI and RF
- 60+R9, Hue Bin 1

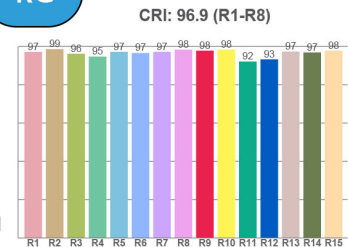
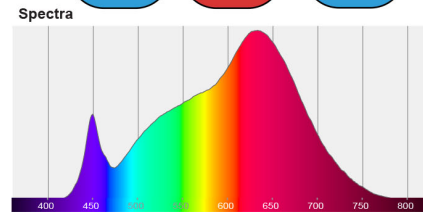


Ambient Dim - 3000k to 1900k

- <3 MacAdam Ellipse (<3 SDCM)
- 95+ CRI and RF
- 90+R9, Hue Bin 1
- Follows Black Body Locus through dimming range



3000 CCT Full Output



1850 CCT 5% Output

